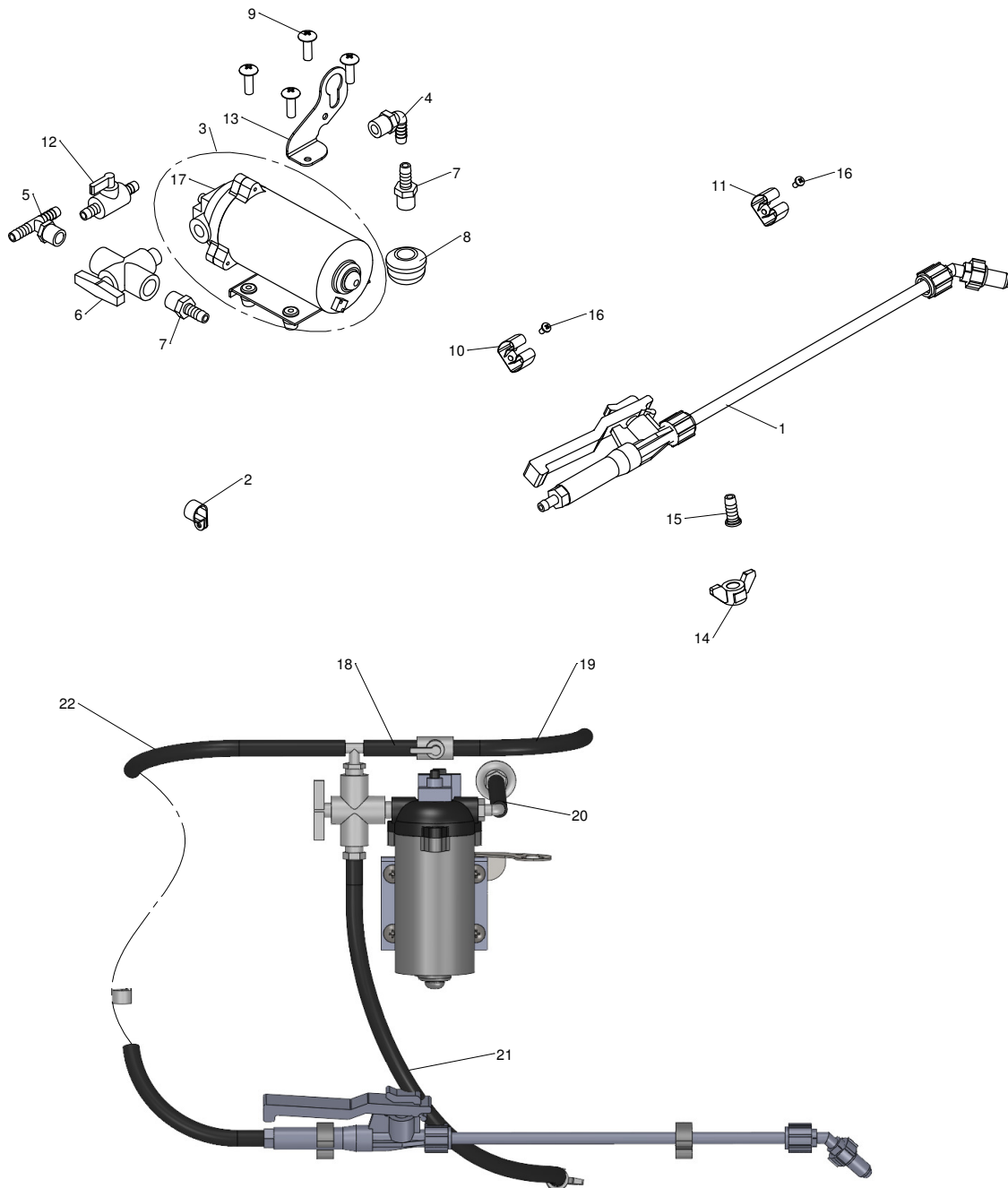


2.2 GPM Pump and Hand Sprayer



ITEM NO.	PART NUMBER	DESCRIPTION	QTY.	Note
1	5CS43673	Spray Wand w/ Brass Tip	1	
2	5CS43674	Hose Holder 3/8"	1	
3	5CS43918	Pump 2.2 GPM 100 PSI	1	
4	5CS43183	Elbow 3/8" NPT - 3/8" Barb	1	
5	5CS43235	Tee 3/8" NPT -3/8" Barb	1	

2.2 GPM Pump and Hand Sprayer

ITEM NO.	PART NUMBER	DESCRIPTION	QTY.	Note
6	5CS43181	Selector Valve 3/8"	1	
7	5CS43182	Fitting Straight 3/8" Barb	2	
8	5CS43258	Sump Strainer 3/8"	1	
9	5CS65001	#10-24 x 1" Truss Head Screw	4	
10	5CS43287	Spray Wand Clip Large	1	
11	5CS43130	Spray Wand Clip Small	1	
12	5CS43014	In-line Valve 3/8"	1	
13	5CS43973	Harness Retention Bracket	1	
14	5CS43498	Plastic Wing Nut	1	
15	5CS43499	3/8" Barb Fitting for Wing Nut	1	
16	5CS65000	#10-24 x 3/8" Truss Head Screw	2	
17	5CS43921	2.2 GPM Pump Head Replacement	1	
18		3/8" Hose	1	CTL 2.5", MF 5CS43286
19		3/8" Hose	1	CTL 8", MF 5CS43286
20		3/8" Hose	1	CTL 22", MF 5CS43286
21		3/8" Hose	1	CTL 28", MF 5CS43286
22		3/8" Hose	1	CTL 240", MF 5CS43286
-	5CS43652	Hose Clamp Screw Type 3/8" - 1/2"	8	Not Illustrated
-	5CS43844	Grommet 5/8" ID	2	Not Illustrated